

ES8450 Series Extended Stem Valves BK9450 & BK9470 Series Extended Bonnet Valves

Application

These valves are designed for use as a trycock valve or hose drain valve on cryogenic tanks. Another application is as a use, liquid fill, or vent valve on mini-bulk cryogenic tanks. These valves can be used likewise for other cold gas applications requiring extended stem valves as LNG Fueling.

Features

- Union bonnet.
- One piece stainless steel stem
- Conical seat design.
- Maximum working pressure is 600 psig.
- Working temperature is -320°F to +165°F.
- Cleaned for oxygen service per CGA G-4.1.
- 100% Factory Tested

ES8450 Series specific feature:

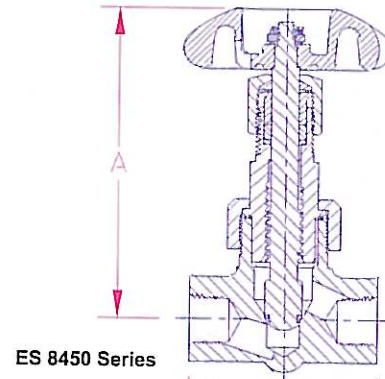
- Manual torque compression packing.

BK9450 and BK9470 Series specific feature:

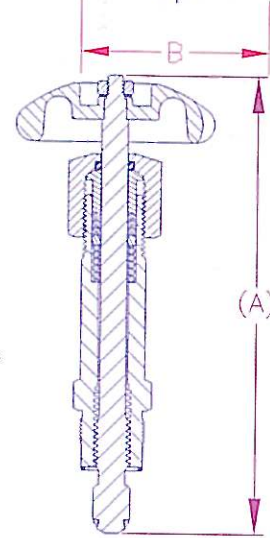
- Extended bonnet and spring loaded packing.

BK9470 Series specific feature:

- 304 St. Sl Tube brazed into one or both ends.

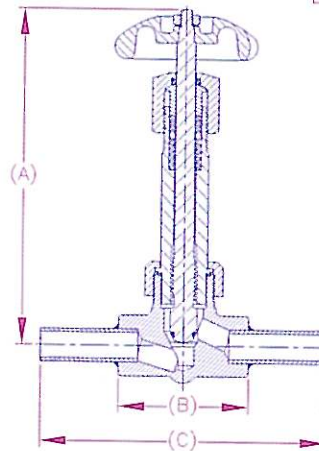


ES 8450 Series



BK 9450 Series

BK9450B



BK 9470 Series

Materials

Body and Bonnet.....	Brass
Stem	Stainless Steel
Seat Disc	CTFE
Handwheel.....	Aluminum
Packing and Bonnet Gasket.....	PTFE

Conversion Kit

BK 9450-KIT is a bonnet and stem assembly kit to convert ES 8450 Series and previous ES 9450 Series to the BK 9450 style.

Ordering Information

Part Number	Inlet/Outlet Connections	Height "A"	Body Width "B"	Width with Tube "C"	Cv
ES 8452	1/4" FNPT	4"	2.5"		0.70
ES 8453	3/8" FNPT	4"			1.10
ES 8454	1/2" FNPT	4"			1.10
BK 9452	1/4" FNPT	6.5"			0.70
BK 9453	3/8" FNPT	6.5"			1.10
BK 9454	1/2" FNPT	6.5"			1.10
BK 9453FA	5/8" OD tubing x 3/8" FNPT	6.5"		4.0"	1.10
BK 9475A	5/8" OD tubing both ends	6.5"		5.5"	1.10